

Data Sheet

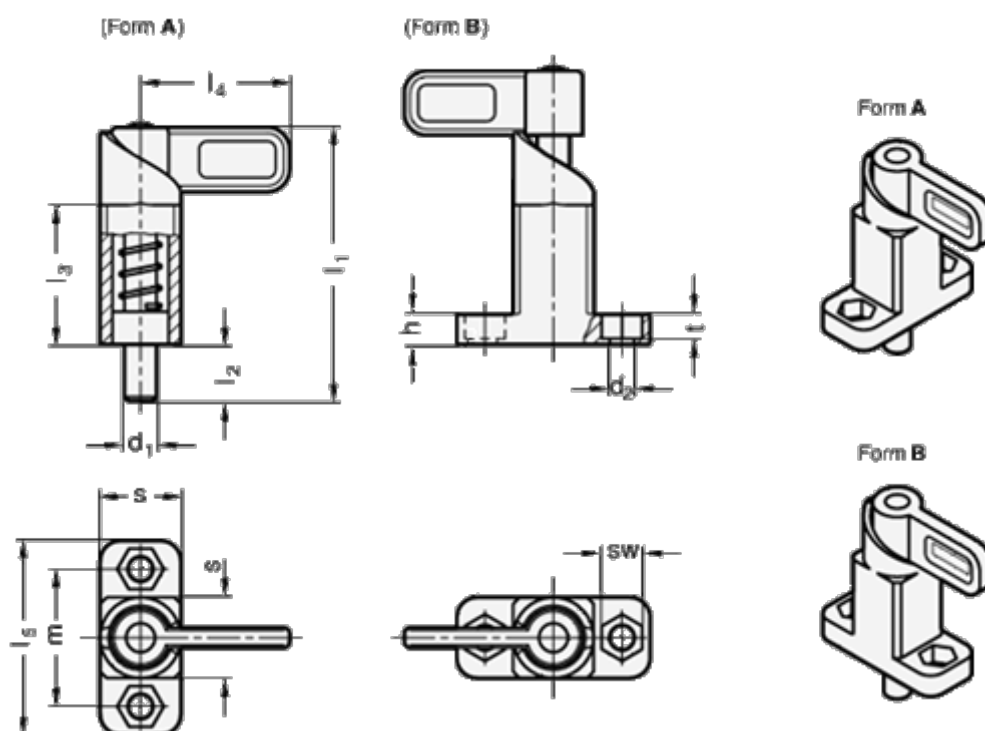


Article number: 207222820BSW

Description: E+G

Indexing plunger GN 722.2-8-20-B-SW

Measures



| | | |
|----------|-----------------------|-------|
| A/F = 10 | l5 | = 48 |
| d = 8 | m | = 34 |
| d2 = 6.1 | s | = 20 |
| h = 7.5 | Spring load end N | = 55 |
| l1 = 68 | Spring load initial N | = 16 |
| l2 = 14 | t | = 6.1 |
| l3 = 35 | | |
| l4 = 37 | | |